

1

2

3

4

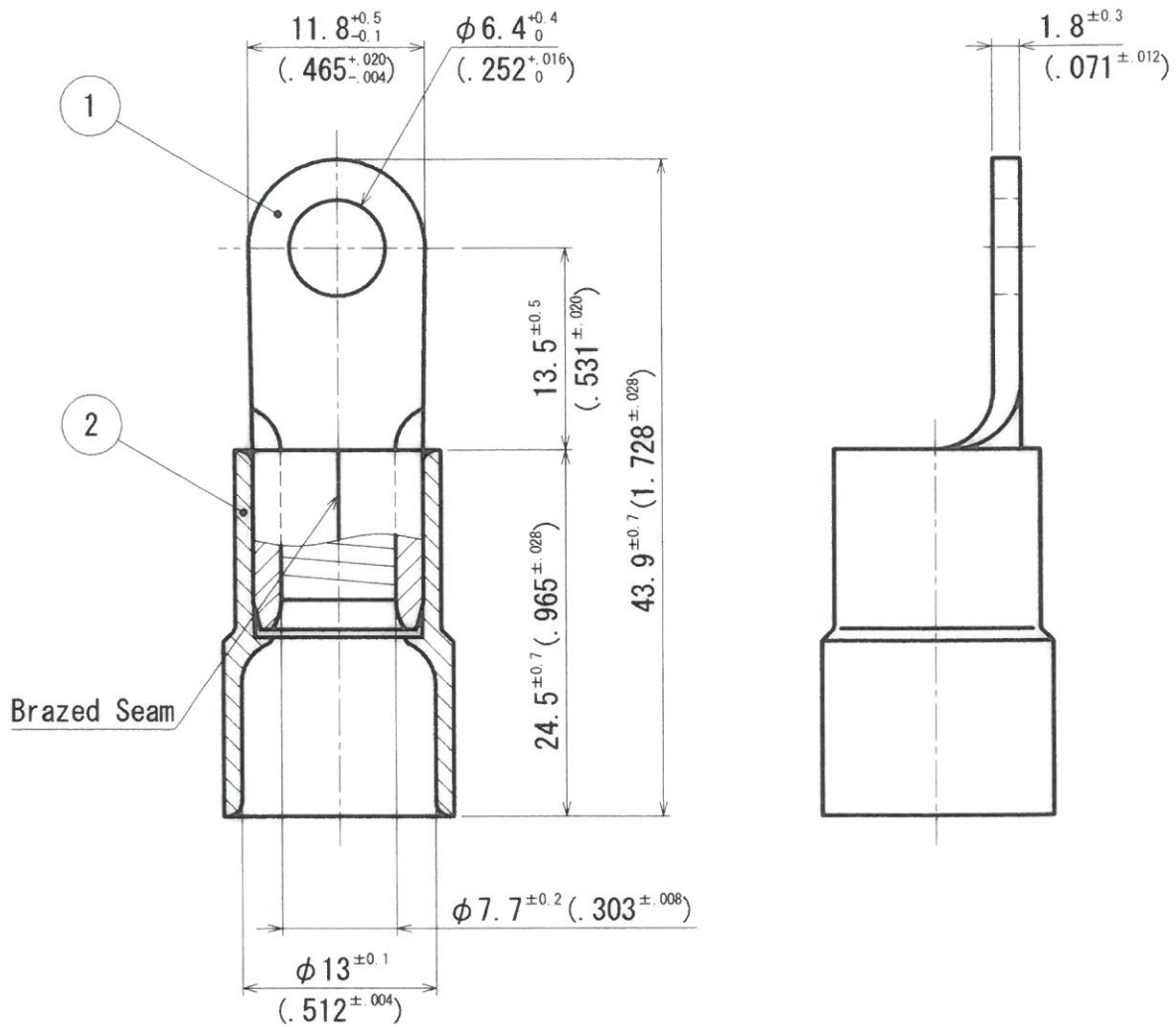
No.

Date

Revision Record

Drawn

Check



Note: Dimensions in mm
() dimensions in inches.



2	Insulator	Nylon		1			
1	Terminal	Copper	t=1.8 (.071)	1	Tin Plated	4AWG 16.78-26.66mm ²	
No.	Parts Name	Material	Thick	Q' ty	Treatment	Wire Size	
Messrs.				Part Number		TMEN 22-6S	
Scale	Approved	Checked	Design	Drawn	Title		
2	<i>[Signature]</i>	<i>M. Nakazato</i>	<i>S. Teramoto</i>	<i>A. Kawaguchi</i>	Insulated Ring Terminal		
1	K. Hamada	M. Nakazato	S. Teramoto	A. Kawaguchi	Drawing No. 05-01225-00		
Date		January 15, 2021			Revision No.		0