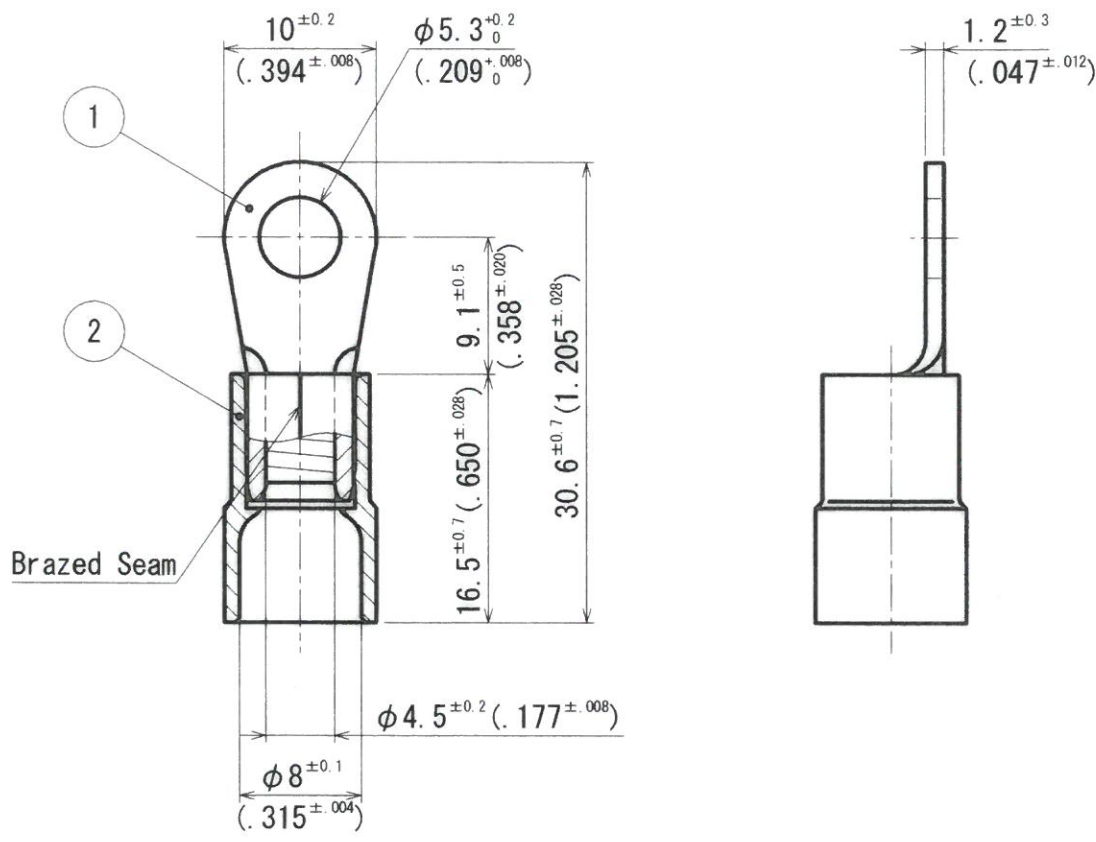


No.	Date	Revision Record	Drawn	Check
-----	------	-----------------	-------	-------



Note: Dimensions in mm  
( ) dimensions in inches.



2	Insulator	Nylon		1		
1	Terminal	Copper	t=1.2 (.047)	1	Tin Plated	8AWG 6.64-10.52mm <sup>2</sup>
No.	Parts Name	Material	Thick	Q'ty	Treatment	Wire Size

Messrs.					Part Number	TMEN 8-5S
Scale	Approved	Checked	Design	Drawn	Title	Insulated Ring Terminal
2	<i>[Signature]</i>	<i>m. Nakazato</i>	<i>S. Teramoto</i>	<i>A. Kawaguchi</i>	Drawing No.	05-01221-00
1	K. Hanada	M. Nakazato	S. Teramoto	A. Kawaguchi	Revision No.	0
Date		January 15, 2021				