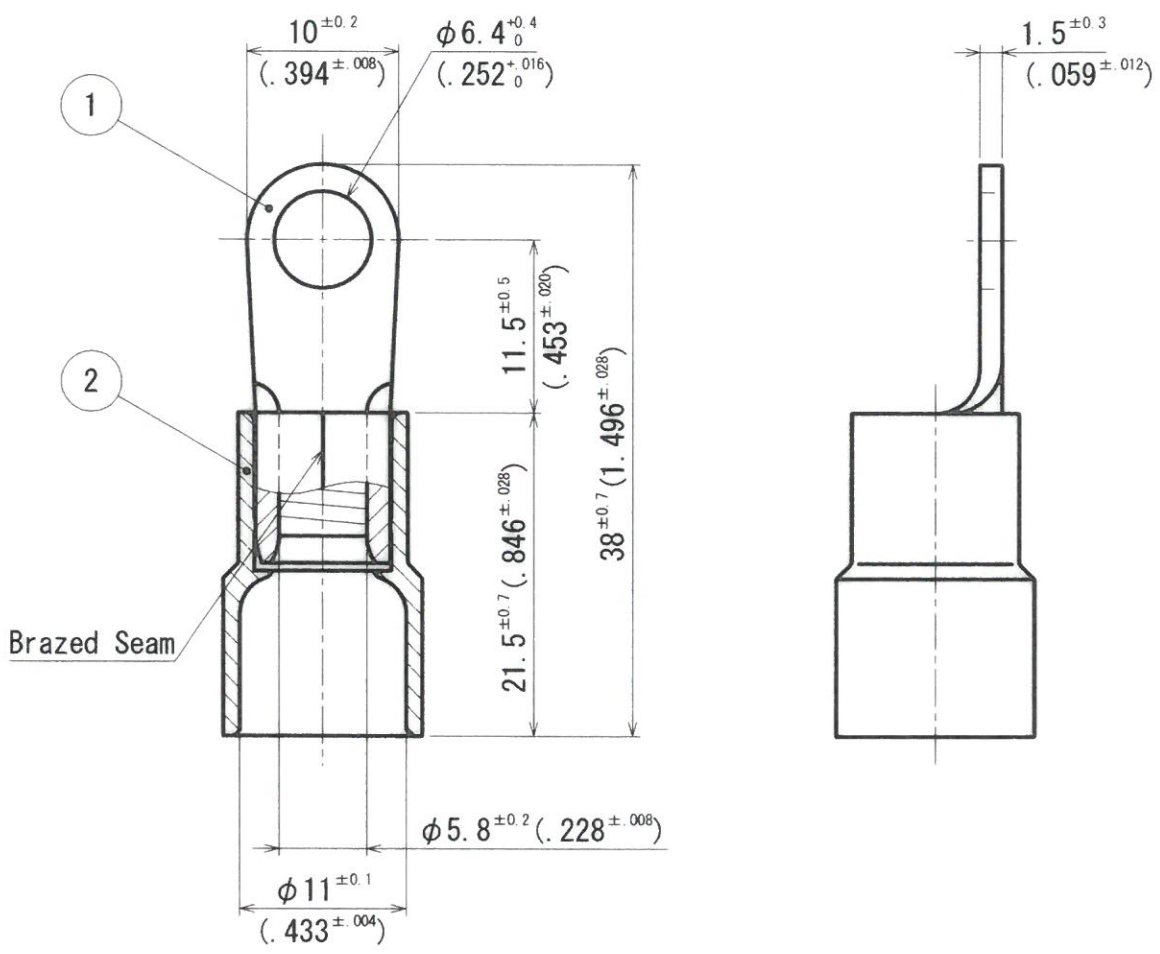


No.	Date	Revision Record	Drawn	Check
-----	------	-----------------	-------	-------



Note: Dimensions in mm
 () dimensions in inchs.



2	Insulator	Nylon		1		
1	Terminal	Copper	t=1.5 (.059)	1	Tin Plated	6AWG 10.52-16.78mm ²
No.	Parts Name	Material	Thick	Q'ty	Treatment	Wire Size

Messrs.					Part Number	TMEN 14-6S
Scale	Approved	Checked	Design	Drawn	Title	Insulated Ring Terminal
2					Drawing No.	05-01224-00
1	K. Hamada	M. Nakazato	S. Teramoto	A. Kawaguchi	Revision No.	0
Date					January 15, 2021	

