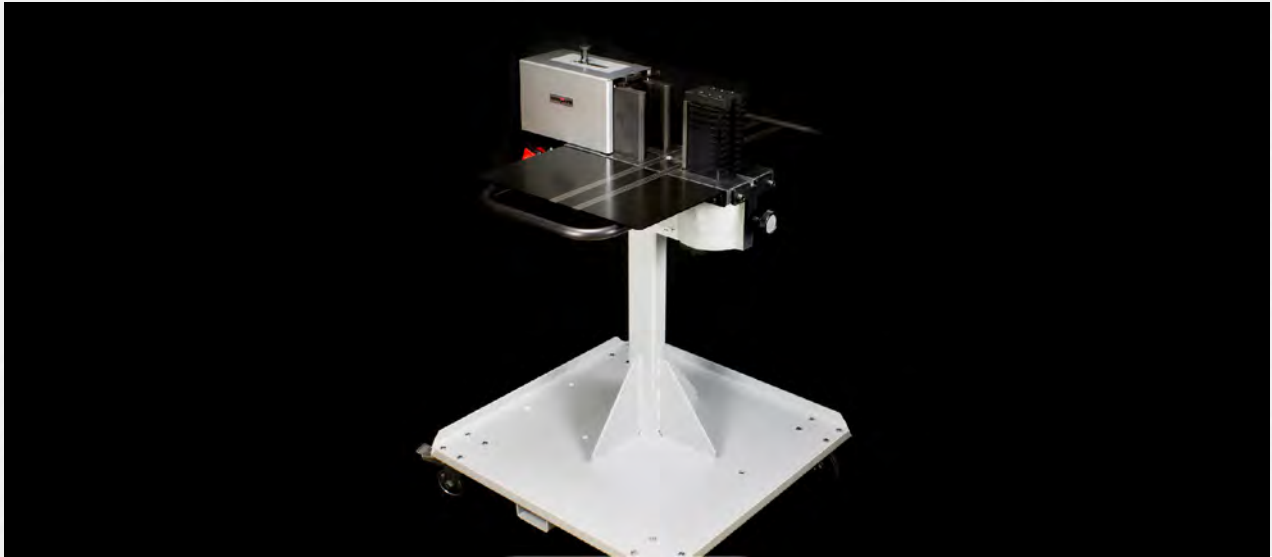


Busbar Center SLB 125



3 in 1 Bubar Center SLB 125 Ref.No. 40070

The unique 3 in 1 Busbar Center SLB 125 guarantees effortless cutting, punching and bending of copper busbars up to 125 x 13 mm (4"x1/2"). Ideal for the switchgear work shop or at site the base unit transforms into a cutting, punching or bending machine within seconds.

Performance is comparable with stationary copper busbar machines, e.g. cutting of a 120 x 10 mm (4 3/4"x 3/8") copper busbar, in just 6 sec.. Punching of copper busbars is quick, effortless and without any pre-marking of the busbar. Fixed or adjustable guide plates will allow instant punching of common switchgear hole pattern. For bending of copper busbars a broad range of bending accessories will allow tight and specific bending curves as requested in modern switchgear and circuit breakers. Even processing of flexible copper busbar is possible with great safety and cutting edge quality.

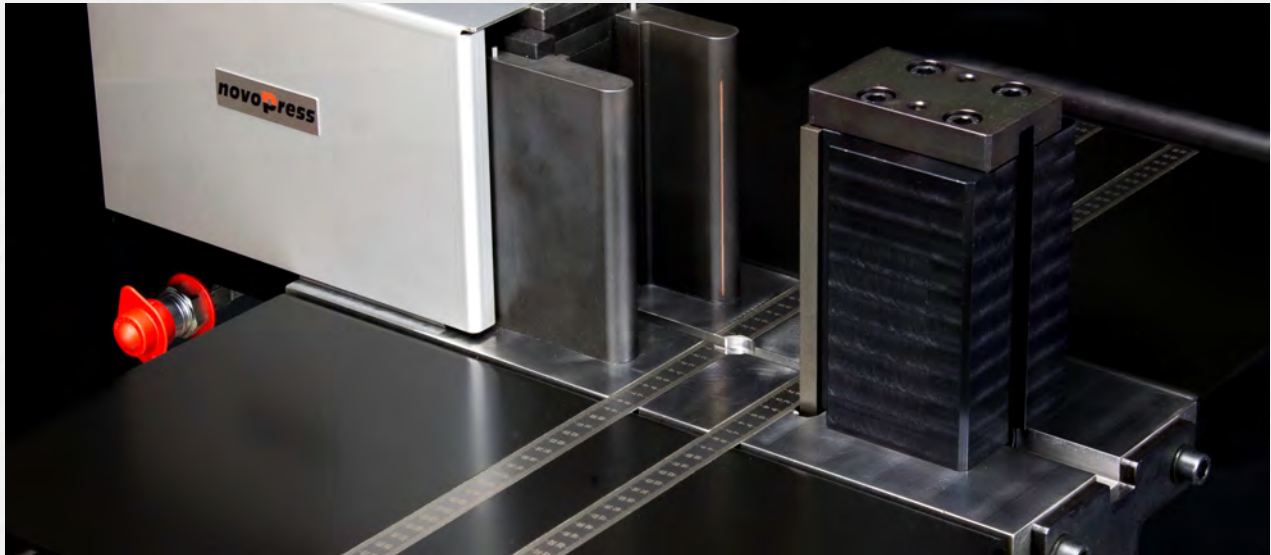
Busbar fabrication from a single mould:
Precise, simple and quick.



Advantages

- ▶ especially robust and stiff frame
- ▶ lightning-swift tool changes with a minimum of manipulation
- ▶ cutting, bending and punching in very high quality
- ▶ the 150 bar low-pressure system ensures a long service life and very fast cycle times
- ▶ busbars bent accurately up to 120° – very accurate reproducibility of the set angle
- ▶ for busbars up to 125 x 13 mm
- ▶ accessories for flexible busbars available

Busbar Center SLB 125

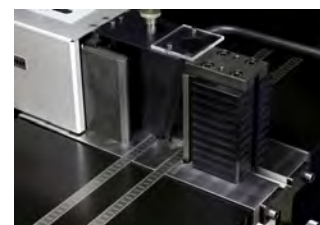


Technical specifications

Height	1,145 mm
Depth	750 mm
Width	750 mm
Weight	180 kg
Operating pressure	150 bar (2.200 psi)
Force	180 KN
Power rating	0.75 kW
Voltage	230 V 1~/50 Hz
Cutting max.	125 x 13 mm 250 N/mm ²
Punching max.	ø 21 mm
Bending max.	125 x 13 mm 250 N/mm ²

The unique Novopress three-in-one busbar center as a complete set - cutting, punching and bending of busbars up to 125 x 13 mm (4"x1/2") in one compact unit.

The SLB 125 Complete System comes ready to operate, including trolley, Hydraulic Power Pack HA 3 and standard accessories.



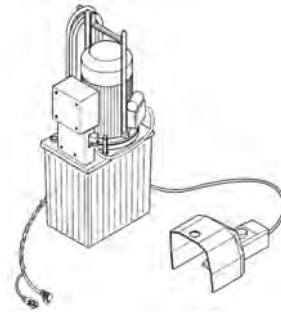
We reserve the right to make technical modifications.

Busbar Center SLB 125

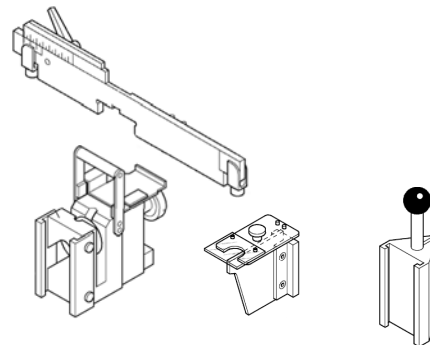


Complete System Ref.No. 39659

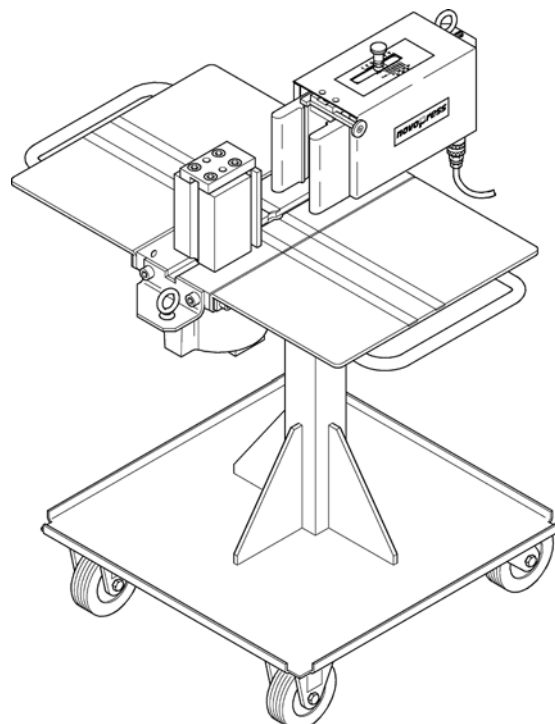
Power Pack HA 3	Ref.No. 33340
-----------------	---------------



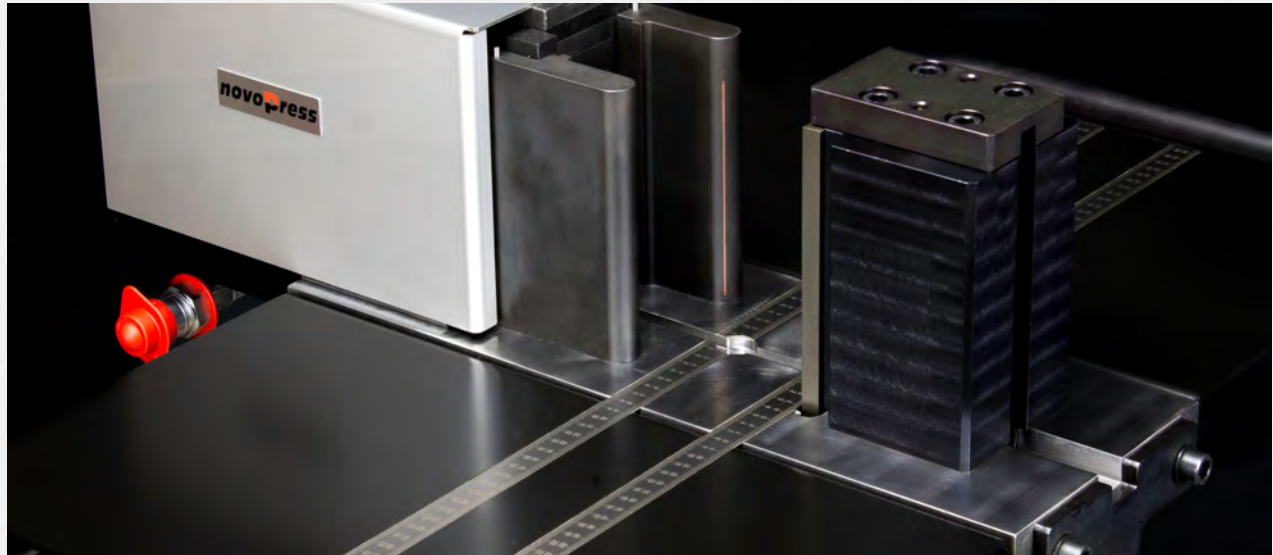
Cutting Tool	Ref.No. 31242
Bending Tool	Ref.No. 31243
Punching Tool	Ref.No. 30980
Guiding Plate	Ref.No. 31890
Tool insert 9.0 mm dia	Ref.No. 31161090
Tool insert 11.0 mm dia	Ref.No. 31161110
Tool insert 14.0 mm dia	Ref.No. 31161140



SLB 125 Basic unit on trolley	Ref.No. 40070
----------------------------------	---------------



Busbar Center SLB 125



Accessories



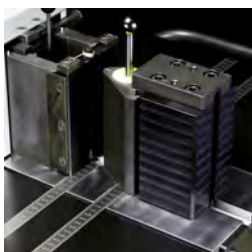
Large-Step-Bending-Tool Ref.No. 31646

For quick and 100 % parallel step bends on up to 80 x 8 mm busbars.
Step = 21 mm wide and 18 mm high



Small-Step-Bending-Tool Ref.No. 31425

For quick and 100 % parallel step bends on up to 120 x 10 mm busbars.
Step = 37 mm wide and 25 mm high

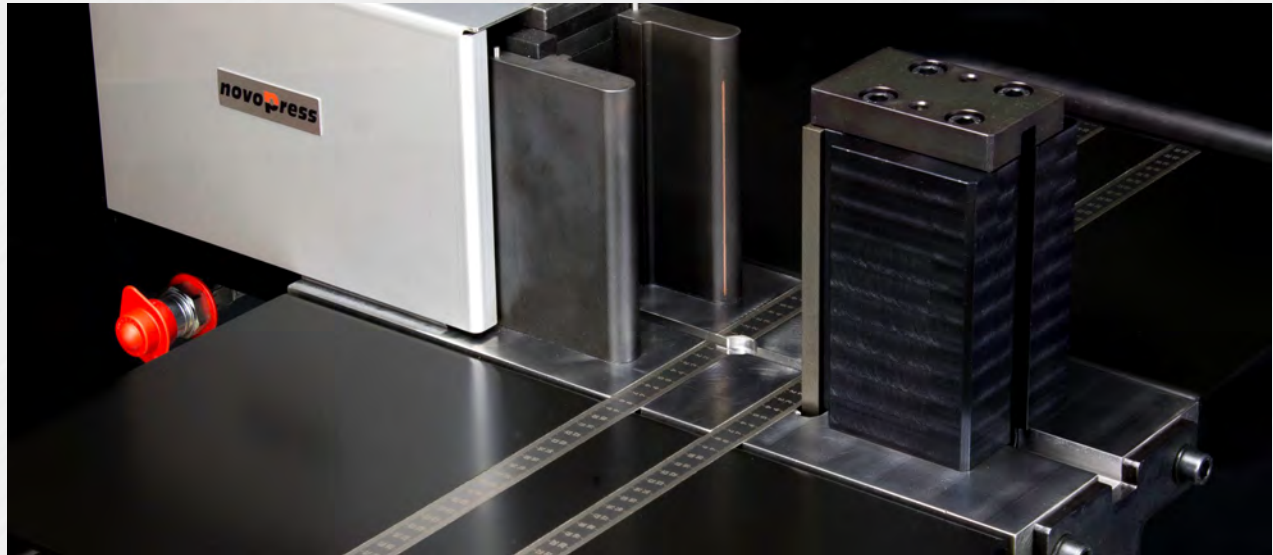


Supplementary-Bender-SLB Ref.No. 31636

The L-Bending-Tool will allow short "L"-bends with only 25 mm leg.
SLB 125 standard setup will allow 45 mm as shortest leg.

We reserve the right to make technical modifications.

Busbar Center SLB 125

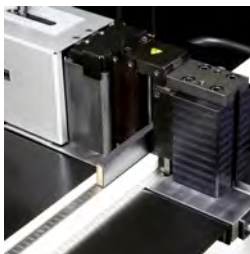


Accessories



Special-U-Bender Ref.No. 42430

Tight U-bends are often a problem on multi-purpose copper busbar machines. With our special U-Bending-Tool you can bend your copper busbar as tight as 60 mm (2.4") inside. With this very tight copper busbar geometry your switchgear will always be "in shape".



Cutting Cartridge Ref.No. 45445

For cutting flexible copper busbars up to 120 x 10 x 1 mm our brand new SLB 125 Cutting Cartridge is available.

With this all new cartridge cutting becomes easy, safe and of outstanding quality. The problematic copper sawing and related dust and chips are a thing of the past. Regardless of cutting insulated or stripped copper bars, subsequent processing will be trouble free. For punching flexible busbar we recommend using the special punching dies including stripper plate.

We reserve the right to make technical modifications.