



NELCO CONTACT AB

---

# Safe Operation & Maintenance Instruction

## Battery Pump

### NBHP 18V



Version: 2017/08

**NELCO Battery Pumps** are carefully inspected for quality and tested for safety. We follow ISO 9001: 2008/ ISO 14001: 2004/ IECQ QC 080001/ OHSAS 18001: 2007 Standards

### **ATTENTION!**

*Safe Operation & Maintenance Instructions must be followed.*

# Table of Contents



- Safety Instructions ..... 1
- Scope of Delivery ..... 2
- Product Description ..... 3
- Strap Installation Instruction ..... 4
- Functional Features..... 5
- Battery Charging / Battery Cartidge..... 6
- Strap Installation Instruction ..... 6
- Maintenance..... 7
- Oil Refilling INstruction ..... 8
- Table of Components / Diagram of Components ..... 9

Thank you for using **NELCO** products. This manual must be read carefully prior to operating this product. Special attention should be paid to the section "Safety Instructions". Damages and injuries caused by improper use of this product are **NOT** included in our warranty. We would like to remind you to work safely and to keep this manual on hand.

## Safety Instructions

- Follow all instructions to ensure safety.

<b>WARNING</b>	
	Read all information regarding your hydraulic power source and be familiar with its operation.
	Keep hands and feet away from the tool and work piece during operation, in order to avoid injury.
<b>ATTENTION</b>	
	This product is <b>NOT</b> an insulator. Always arrange safety equipments when operating this tool in case accidents happened.
	Always wear safety goggles when operating this product. Projectiles or hydraulic fluid can cause serious injuries.

## Scope of Delivery

<b>No.</b>	<b>Description</b>	<b>Quantity</b>
1	Battery pump	1
2	Battery 18 V DC / Li-ion	2
3	Charger	1
4	Hydraulic hose	1
5	Shoulder strap	1
6	Instruction manual	1
7	Remote controller	1

## Product Description

### Specifications:

- Dimensions: 321.7mm(L) x 182mm(W) x 319.5mm(H)
- Approximate Weight (w/o battery): 7.3kg
- Approximate Weight (with 2 batteries): 8.5kg
- Max Pressure: 700 bar
- Oil Required: 1500 cc

### Oil Delivery:

- 1.2 L / min at low pressure
- 0.3 L / min at high pressure

### Features:

- Operate with powerful, high-capacity Li-ion batteries along and interchangeable of A 、 B battery individual detect capacity.
- Environmentally design for saving energy as automatic switch to sleep mode after 3 minutes without any activate action.
- Display related pumping pressure and battery capacity on OLED display.
- Maintenance warning attached: Buzzer alert at long deep if crimping or cutting is not completed and losing pressure when failure caused.
- Shoulder strap for high wearing comfort.
- 7 modes for different applications that can be selected by the functional knob.

# Product Description

## Battery Specifications:

- Brand: BOSCH
- Type: Lithium-ion (Li-ion)
- Capacity: 4.0 Ah
- Output Voltage: 18V



## Charger Specifications:

- Model No.: AL 1860 CV
- Input Voltage: 230V
- Approximate charging time per battery: 45mins <4.0Ah>



# Strap Installation

- **The battery pumps are ready to use for overhead operation with the secured strap as easy carrying propose.**

Step 1:  
Hook up the strap ring into the hook ring that is on the handle.

Step 2:  
Hook up the strap ring into the hook ring that can be found under the functional knob.

Step 3:  
Check the strap attached the battery pump completely and secured.



## Functional Features

1. Power off

2. Crimping mode:

Keep pressing the button to advance piston. The pressure will be released to retract the piston when it reaches max pressure.

3. Cutting and jack mode:

Keep pressing the button to advance the piston. The pressure will be held when it reaches max pressure.

4. Auto mode

The piston will automatically advance to max pressure and self-retracting when advance button is pressed.

5. Semi-auto mode

The piston will automatically advance and hold at max pressure when the advance button is pressed, and require pressing retract button to retract piston.

6. Setting mode:

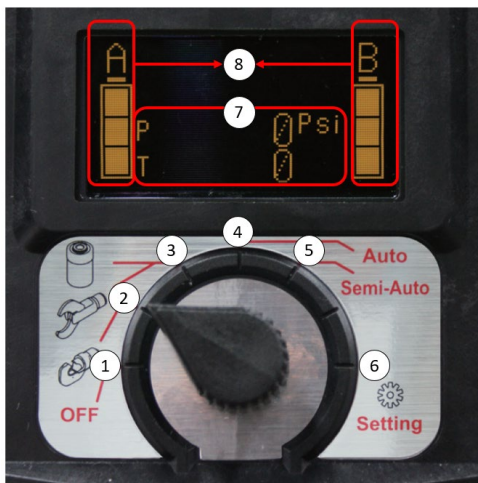
Able user to choose the pressure unit to be PSI or BAR.

Display the work time (usage count) of this pump.

7. P: Maximum pressure / T: Current pressure

8. Battery power

※ The system counts a work time when the pressure is over 200 bars. An alert signal will pop up to remind users to maintain the pump when the work time is over 5000.



## Battery Charging

1. Plug the AC charger plug into the wall socket. Ensure the electrical outlet meets the charger's specifications.



2. Position the battery cartridge into the battery charger. The LED indicator light will go out when the battery is fully charged.

3. Charging time for the 4.0 Ah battery cartridge is approx. 45 minutes. When stored in the charger, the battery will stay fully charged.

## Battery Cartridge

1. To remove batteries, press on the battery latch and pull the battery out.

2. To install batteries, slide batteries into the contacts until it clicks into place. The batteries should be secured and unmovable.



### ATTENTION




- **Remove batteries before exchanging the tool head, cleaning the tool head, or changing the hydraulic oil.**
- **Do not disassemble or attempt to repair the battery cartridge. Follow battery disposal guidelines.**



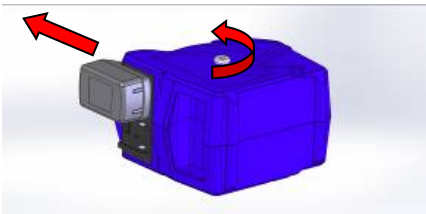
## Maintenance

- Keep the pump free of dirt and metal chips. Use a lubricant to clean the tool when necessary.
- Routine renewal of pump oil is required. Particles mixed in the pump oil is the most common cause of product failure.
- Do **NOT** lift the pump by the hydraulic hose or couplers, or let the pump drop to the ground or into the carrying case.
- Do **NOT** keep this product in places with high temperatures, high humidity, or direct sunlight.
- Suggested working temperatures : -10°C ~ 40°C. Check hydraulic fluid specifications.
- Hydraulic fluid temperatures over 65°C might soften packings and seals and cause fluid leaks.
- The hydraulic fluid pressure should only be adjusted by **NELCO** service representatives
- Inform **NELCO** authorized distributors in case of any abnormalities or malfunctions of the product.
- **DO NOT DISASSEMBLE OR ATTEMPT TO REPAIR THIS PUMP.**

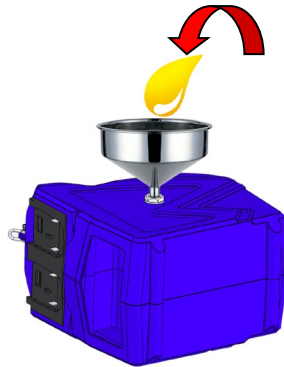
ATTENTION	
	<ul style="list-style-type: none"><li>• Turn off the power and release pressure before cleaning the tool head or pump.</li><li>• If you notice a leak on the pump, hose or tool head, do not use your hands to look for the leak.</li></ul>

# Refilling Hydraulic Fluid

1. Make sure the oil pressure has been released to zero.
2. Remove batteries. (**Picture 1**)
3. Loosen the valve bolt. (**Picture 1**)
4. Put a funnel to easily pour in the oil. (**Picture 2**)
5. Pour in new hydraulic oil and make sure the amount of the hydraulic oil reach to 1500c.c.
6. Fasten the valve bolt.



**Picture 1**



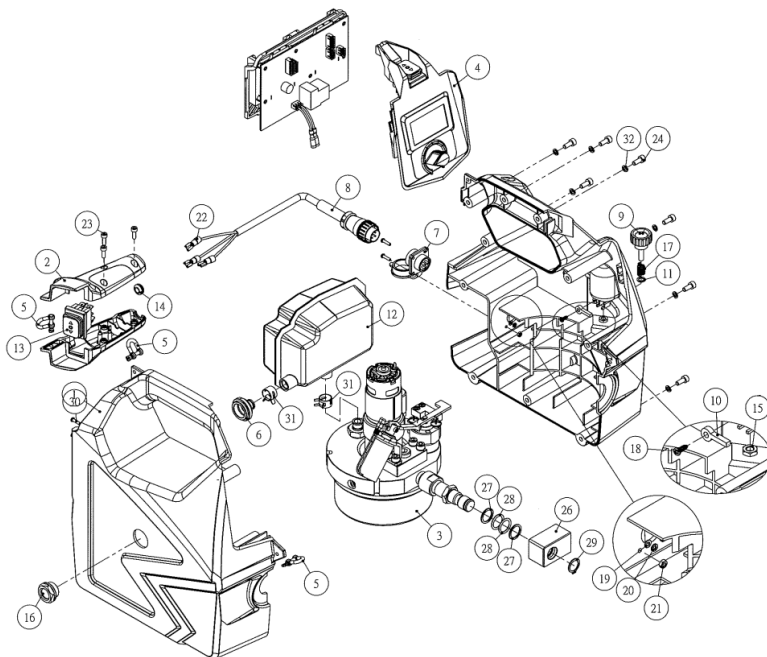
**Picture 2**

# Table of Components

# NBHP 18V

No.	Part Name	Q'ty	No.	Part Name	Q'ty
1	Housing	1	17	Compression Spring	1
2	Housing	1	18	Screw	1
3	Pump Assembly	1	19	Washer	4
4	Circuit Board	1	20	Washer	4
5	Shackle	3	21	Nuts	4
6	Valve Bolt	1	22	Connector	3
7	Plug Connector (female)	1	23	Screw	3
8	Plug Connector (male)	1	24	Screw	14
9	Release Knob	1	26	Adaptor	1
10	Shift Lever Pin	1	27	Back-up Ring	2
11	Washer	1	28	O-ring	2
12	Oil Reservoir	1	29	Circlip	1
13	Switch	1	30	Screw	4
14	Retaining Wire Ring	1	31	Pipe Clamps	2
15	Nut	1	32	Washer	10
16	Valve Bolt	1			

## Diagram of Components





## Manufacture & Quality Certificate

We hereby certify that the following **NELCO** product was manufactured in accordance with our specifications and has passed our quality inspection.

**Item:** Battery Pump

**Model No.:** NBHP 18V

**Serial No.:** \_\_\_\_\_

**Date of Inspection:** \_\_\_\_\_

**Q.C. Supervisor:** \_\_\_\_\_

### NELCO CONTACT AB

For NELCO Authorized  
Distributor Use Only:

\_\_\_\_\_/\_\_\_\_\_/\_\_\_\_\_  
Date of Purchase (dd/mm/yy)

For Industry or Individual  
Buyer Use Only:

\_\_\_\_\_/\_\_\_\_\_/\_\_\_\_\_  
Date of Purchase (dd/mm/yy)