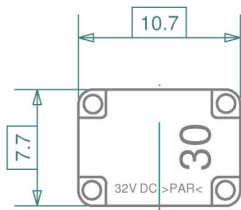
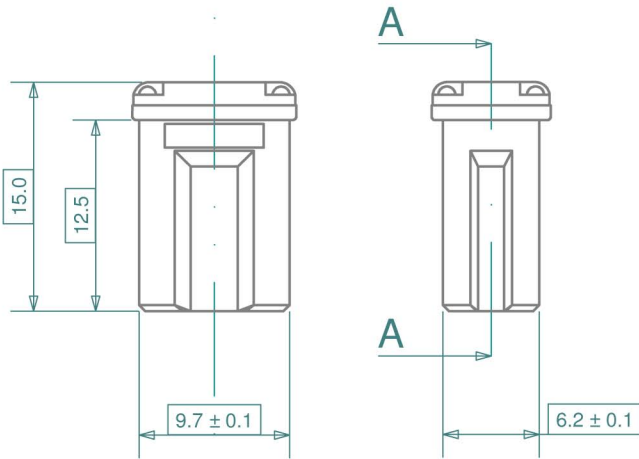


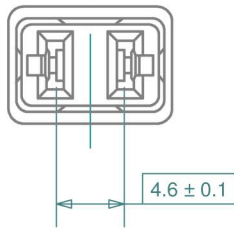
A



B



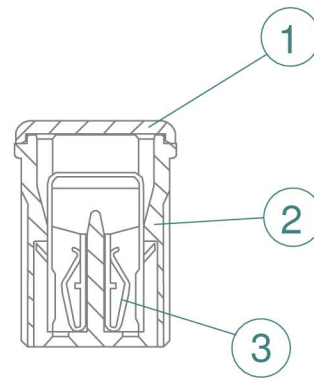
C



Rating [A]	Volt [V]	Color
15	32	Gray
20	32	Blue
25	32	White
30	32	Pink
40	32	Green

D

section A - A



Key	
1	Top cover, PAR
2	Housing, PA 66
3	Element, copper alloy

E

Revisions			Drawn	Date	Appr.
	Date	Type			
a	01/11	added 15 & 25 amp ratings	Checked	05/17	BE
b	05/17	added rated voltage	Standards		
			Approved	05/17	AdH



F

Scale	not to scale	Title	L - JM series, japOTO SlowBlow fuse
Projection	Tolerance ± 0.2 mm unless otherwise noted	Drawing type	schematic
		Drawing number	L - JM drawing 1a
		Sheet	1 of 1
		Layers / Sheet	01 2 4 6 8 9